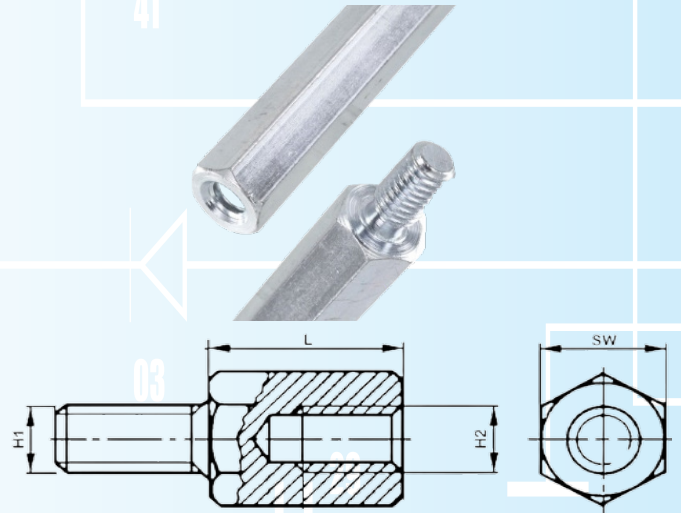




DISTANZBOLZEN (M6) SW9

Produktspezifikation

- Sechskantbolzen, Schlüsselweite SW 9
- Einerseits Innengewinde.
- Andererseits Aussengewinde.



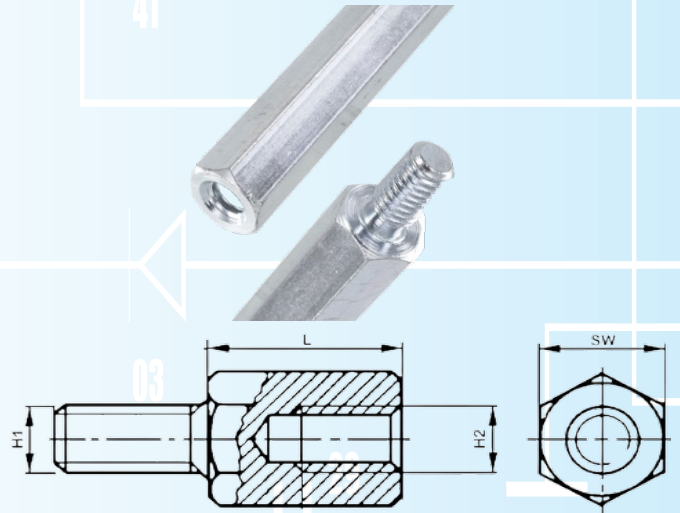
Art.Nr.	Bezeichnung	Länge (L)	Aussengewinde (H1)	Innengewinde (H2)	Schlüsselweite (SW)	Verpackungseinheit
m60010.01.99	M 6x10x9x5x10 St zn	10mm	M6	M6	9mm	50/100
m60015.01.99	M 6x15x9x10x10 St zn	15mm	M6	M6	9mm	50/100
m60020.01.99	M 6x20x9x10x10 St zn	20mm	M6	M6	9mm	50/100
m60025.01.99	M 6x25x9x10x10 St zn	25mm	M6	M6	9mm	50/100
m60030.01.99	M 6x30x9x10x10 St zn	30mm	M6	M6	9mm	50/100
m60035.01.99	M 6x35x9x10x10 St zn	35mm	M6	M6	9mm	50/100
m60040.01.99	M 6x40x9x10x10 St zn	40mm	M6	M6	9mm	50/100
m60045.01.99	M 6x45x9x10x10 St zn	45mm	M6	M6	9mm	50/100
m60048.01.99	M 6x48x9x10x10 St zn	48mm	M6	M6	9mm	50/100
m60050.01.99	M 6x50x9x10x10 St zn	50mm	M6	M6	9mm	50/100
m60055.01.99	M 6x55x9x10x10 St zn	55mm	M6	M6	9mm	50/100
m60060.01.99	M 6x60x9x10x10 St zn	60mm	M6	M6	9mm	50/100
m60065.01.99	M 6x65x9x10x10 St zn	65mm	M6	M6	9mm	50/100
m60070.01.99	M 6x70x9x10x10 St zn	70mm	M6	M6	9mm	50/100



DISTANZBOLZEN (M6) SW9

Produktspezifikation

- Sechskantbolzen, Schlüsselweite SW 9
- Einerseits Innengewinde.
- Andererseits Aussengewinde.



Art.Nr.	Bezeichnung	Länge (L)	Aussengewinde (H1)	Innengewinde (H2)	Schlüsselweite (SW)	Verpackungseinheit
m60075.01.99	M 6x75x9x10x10 St zn	75mm	M6	M6	9mm	50/100
m60080.01.99	M 6x80x9x10x10 St zn	80mm	M6	M6	9mm	50/100
m60085.01.99	M 6x85x9x10x10 St zn	85mm	M6	M6	9mm	50/100
m60090.01.99	M 6x90x9x10x10 St zn	90mm	M6	M6	9mm	50/100
m60095.01.99	M 6x95x9x10x10 St zn	95mm	M6	M6	9mm	50/100
m60100.01.99	M 6x100x9x10x10 St zn	100mm	M6	M6	9mm	50/100
m60110.01.99	M 6x110x9x10x10 St zn	110mm	M6	M6	9mm	50/100
m60120.01.99	M 6x120x9x10x10 St zn	120mm	M6	M6	9mm	50/100
m60130.01.99	M 6x130x9x10x10 St zn	130mm	M6	M6	9mm	50/100
m60140.01.99	M 6x140x9x10x10 St zn	140mm	M6	M6	9mm	50/100
m60145.01.99	M 6x145x9x10x10 St zn	145mm	M6	M6	9mm	50/100
m60150.01.99	M 6x150x9x10x10 St zn	150mm	M6	M6	9mm	50/100
m60160.01.99	M 6x160x9x10x10 St zn	160mm	M6	M6	9mm	50/100
m8m6025.00.T	Reduzier-Distanzstücke 6-kant, Stahl verzinkt; M8-M6 x 25mm	25mm		M8/M6	13mm	50/100